

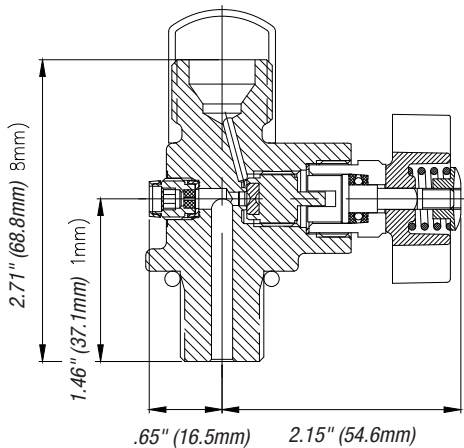
Medical Valves

YVBA Series

Vertical Outlet Oxygen Valves



YVBA5454-XX-75



Compact and designed for home healthcare use on small medical aluminum and composite cylinders.

Key Features & Benefits

- Compact design
- Chamber designed for easy operation
- Aluminum Silicon Bronze stem design for dependable service and long life
- Durable lower plug made of tough naval brass resists wear
- Lower plug is PTFE coated to add lubricity, which minimizes seizing and galling especially under high-pressure operation
- Internal bonnet gasket seal resists damage to chamber sealing area
- Compact molded Lexan® polycarbonate handwheel is easy to operate
- Single unit, compact Pressure Relief Device incorporates 165° F fusible metal backing to resist premature rupture and provide maximum cylinder protection
- Chrome plated for corrosion resistance and cosmetic appeal

Ordering Information

Sherwood Part Number	CGA Outlet	Outlet Thread Size	Inlet Thread Size	Gauge
YVBA5454-XX-75	540	.903-14 NGO RH Ext.	.750-16 UNF-2A	None
YVBA5454-XX-75G	540	.903-14 NGO RH Ext.	.750-16 UNF-2A	1/8" NPTF

All valves supplied with CG-4 165° F fusible metal backed, flush-style Pressure Relief Devices and nickel rupture discs.

XX denotes Pressure Relief Device burst disc rupture pressure.

Valves are available in -28 (3000 Max. PSI), -32 (3360 Max. PSI) and -48 (5000 Max. PSI).

For Product Markings Reference, see **D** in the Appendix

YVBA Series

Vertical Outlet Oxygen Valves

Design Specifications		
	English	Metric
Maximum Working Pressure	3000 PSI	207 Bar
Storage Temperature Range	-65° F to +155° F	-54° C to +68° C
Operating Temperature Range	-50° F to +120° F	-45° C to +49° C
Minimum Cycle Life	5000 Cycles	5000 Cycles
Operating Torque	3–5 in.-lbs.	.3–.6 N-m
Closing Torque	5–7 in.-lbs.	.6–.8 N-m
Bonnet Installation Torque	25–30 ft.-lbs.	33.9–7.3 N-m
PRD Installation Torque	50–65 in.-lbs.	5.6–7.3 N-m
Stem Nut Installation Torque	Nut Flush with Top of Stem	

Standards Conformance	
CGA V-9	Standard for Gas Cylinder Valves
CGA S1.1	Standard for Pressure Relief Devices
CGA V-1	Compressed Gas Cylinder Valve Outlet and Inlet Specifications
A-A-59860	U.S. General Services Administration Standards for Gas Cylinder Valves

Materials of Construction	
Part Description	Materials of Construction
Body	Brass C37700 Chrome Plated
Bonnet	Brass, UNS ASTMB-16-53 Chrome Plated
Gasket	Copper
Handwheel	Lexan®
Plug and Seat Assembly	
Plug	Aluminum Silicon Bronze C64200
Seat	Nylon, Zytel 101 or Celanese 1000-11
Packing	Viton®
Packing	PTFE
Panel Mount Nut (as required)	Brass C36000, Chrome Plated
Spring	Type 302 Stainless Steel, Passivated
Stem	Aluminum Silicon Bronze Alloy #708-8 Nickel Plated
Stem Nut	Brass C36000

Inlet O-Ring for Straight Threaded YVB Valves		
Sherwood Part Number	Material	Quantity
G210A-9PK	Buna-N	50
G210TPK	PTFE	100
G210JPK	Viton®	100

Replacement Parts		
Sherwood Part Number	Description	Quantity
3506-9PK	Lower Plug	50
6521SPK	Handwheel	25
3506-10PK	Gasket	200
3506-18PK	Packing	100
19-3506-11PK	Spring	100
9-3506-12PK	Stem	100
1-3506-8PK	Stem Nut	100