



Sherwood

Harsco

6574 DISS Series

316L SS Diaphragm Valves for Ultra High Purity Gases



- Features Diameter Index Safety System (DISS) CGA connections
- Crimped seat feature prevents seat extrusion and cold flow of the polymeric seat
- Available in multiple seat material configurations to accommodate all high purity gas applications.
- Increased flow (Cv) to aid in reducing vent and purge times
- Low operating torque design to ensure ease of operation during filling and use.
- Available with unitized pressure relief device having fuse-metal backed or unbacked burst disc.
- Available with standard CGA connections as well as International inlets and outlets

Optional Cap and Chain



Sherwood

Harsco

Sales & Service
2111 Liberty Drive
Niagara Falls, NY 14304
Phone: 888.508.2583
716.505.4800
Fax: 716.505.4859
www.sherwoodvalve.com



Specifications

6574 Series

316L SS Packless Diaphragm Valves		
Valve Series	6574 Series	6574 International Series
Inlets	3/4" – 14 NGT	BS 341, DIN 477, JIS All other available upon request
Outlets	DISS	ISO, BS 341, DIN 477, JIS
Seat Material	PCTFE PVDF Vespel®	PCTFE PVDF Vespel®
Pressure Relief Device		
Burst Pressure @ 165° F		A- 3000 PSIG B- 3360 PSIG C- 3775 PSIG D- 4000 PSIG
Burst Disc Material		Nickel 200 Stainless Steel Platinum Clad Nickel
Type		None, where prohibited CG-1 Burst Disc Only CG-2 Fuse Plug 165° F Fuse metal CG-4 Burst Disc w/ 165° F Fuse metal CG-5 Burst Disc w/ 212° F Fuse metal
Optional Features		
Aluminum Hand wheel - Available in Rubber coated or Chrome plated 6 or 8 Lobed. Optional Inlet configurations available upon request. Optional - Electro polishing of gas wetted areas see 6575 series		
Specifications		
Max Service Pressure:	3000 PSIG	200 Bar
Temperature Range:	-50° F → 120° F	-45° C → 49° C
Leak Rate:	1x10 ⁻⁷ atm cc/sec	1x10 ⁻⁷ bar ml /sec
Closing Torque:	50 in-lbs @ 2000 PSIG	5.6 N-m @ 138 bar
Cv with and without Restrictor:	.326/.635	.326/.635



Specifications

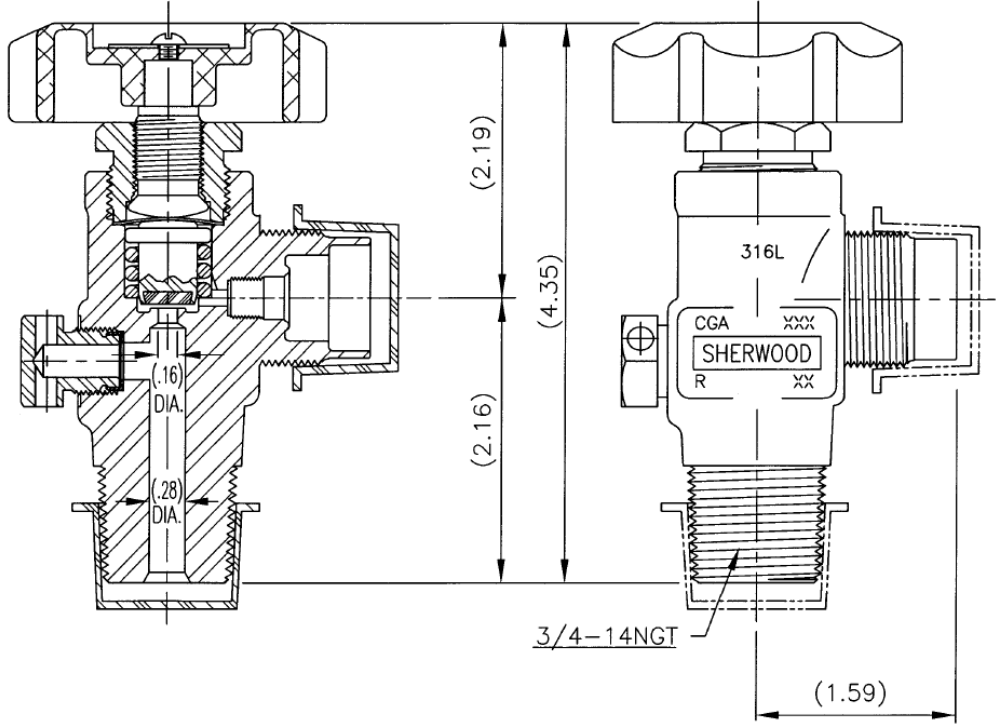
6574 Series

Versions of the 6574 Series		
GAS	Part Number	Description
Arsine, Diborane, Disilane, Germane, Hydrogen Selenide, Phosphine, Silane, Trimethyl Silane	6574R-632xxx	316L, SS Valve, 3/4-14 NGT, DISS 632
Boron Trichloride, Hydrogen Bromide, Hydrogen Chloride	6574R-634xxx	316L, SS Valve, 3/4-14 NGT, DISS 634
Dichlorosilane, Silicon Tetrachloride, Trichlorosilane	6574R-636xxx	316L, SS Valve, 3/4-14 NGT, DISS 636
Nitrous Oxide	6574R-712xxx	316L, SS Valve, 3/4-14 NGT, DISS 712
Carbon Dioxide, Fluoroform, Halocarbons, Octafluorocyclobutane, Octafluorocyclopentene, Octafluoropropene, Pentafluoroethane, Perfluoro-2-butene, Sulfur Hexafluoride, Tetrafluoroethane	6574R-716xxx	316 L, SS Valve, 3/4-14 NGT, DISS 716
Argon, Helium, Krypton, Neon, Nitrogen, Xenon	6574R-718xxx	316 L, SS Valve, 3/4-14 NGT, DISS 718
Ammonia	6574R-720xxx	316 L, SS Valve, 3/4-14 NGT, DISS 720
Carbon Monoxide, Ethylene, Hydrogen, Methane, Methyl Fluoride	6574R-724xxx	316 L, SS Valve, 3/4-14 NGT, DISS 724
Diethyl telluride, Diethyl zinc, Dimethylzinc, Triethylaluminum	6574R-726xxx	316 L, SS Valve, 3/4-14 NGT, DISS 726

*See "Additional Options" on page four for burst discs.



Specifications



Additional Options

<p>6574 **6575</p> <p>Large X= C=3/8" Inlet Thread D=1/2" Inlet Thread G=25E H= 8 Lobed Hand Wheel J=Japanese Inlet K=Kynar (PVDF Seat) N=MP35N Diaphragms R=Tapped for Flow Restrictor T=Tapped for Inlet Dip Tube V=Vespel Seat X7=7 Thread Oversized Inlet</p>	X	(DISS)	x	x	x	-	C
			N= Nickel Burst Disc P= Platinum Burst Disc S= Stainless Burst Disc	small x= A= 3000 PSIG B= 3360 PSIG C= 3775 PSIG D= 4000 PSIG	M=165 Deg Fuse Metal W=212 Deg Fuse Metal		C= add to part number for Cap and Chain
<p>** the 6575 Series valves have electro-polished internals to a 10Ra finish</p>							

P6574-23-710 or P6574-23-630; cap, disc and chain available upon request.



Sales & Service
 2111 Liberty Drive
 Niagara Falls, NY 14304
 Phone: 888.508.2583
 716.505.4800
 Fax: 716.505.4859
 www.sherwoodvalve.com