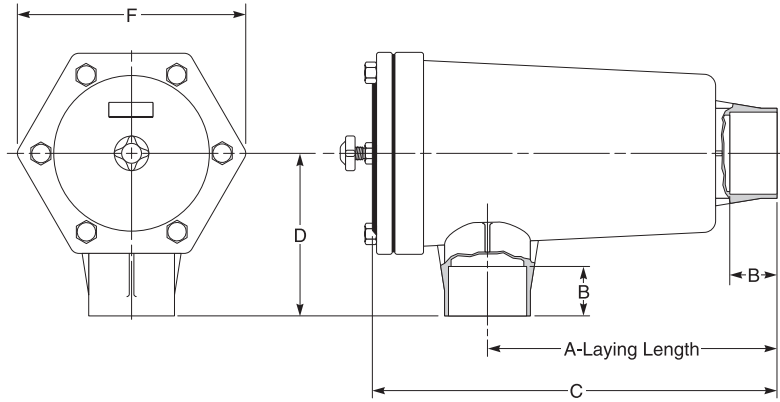


Superior Catalog

CFA Uni-Form Shells

- All-brass One-piece Shell
- May be Silver Brazed for Permanent Installation and Protection of System
- Minimal Space Required for Installation
- No Paint to Peel
- No Rust or Corrosion
- Single Cartridge Design
- Access Valve (1/4-inch SAE) Readily Permits Pressure Drop Readings
- Corrosion Resistant Stainless Steel Bolts Permit Easy Access for Changing of Cartridges
- No Welds or Solder Joints, No Chance of Leaks!
- You'll Never Have to Cut it out Again . . . A Permanent Lifetime Value at Today's Cost!
- U.L. and C-UL Listed. File No. SA 2718 (N)



Shells Only - Cartridges Not Included

Catalog Number	IBCA Number	Conn. ODS (in.)	Bolt Torque (Ft. Lbs.)	Nominal Shell Dia. E (in.)	A (in.)	B (in.)	F (in.)	C (in.)	D (in.)	Weight (lb.)
2CFA-10S	56367	5/8	12	2	5 ³¹ / ₃₂	1/2	4	7 ⁷ / ₈	2	6 ¹ / ₂
2CFA-12S	56368	3/4	12	2	5 ³¹ / ₃₂	5/8	4	7 ⁷ / ₈	2	6 ¹ / ₂
2CFA-14S	56369	7/8	12	2	6 ¹⁹ / ₃₂	3/4	4	8 ¹ / ₂	2 ⁵ / ₈	6 ¹ / ₂
2CFA-18S	56370	1 ¹ / ₈	12	2	6 ¹⁹ / ₃₂	1	4	8 ¹ / ₂	2 ⁵ / ₈	6 ¹ / ₂
3CFA-8S*	56476	1/2	14	3	6 ³ / ₄	3/8	4 ⁵ / ₈	9 ⁵ / ₁₆	2 ¹⁵ / ₁₆	9
3CFA-10S*	56470	5/8	14	3	6 ³ / ₄	1/2	4 ⁵ / ₈	9 ⁵ / ₁₆	2 ¹⁵ / ₁₆	9
3CFA-14S	56471	7/8	14	3	6 ³ / ₄	3/4	4 ⁵ / ₈	9 ⁵ / ₁₆	2 ¹⁵ / ₁₆	9
3CFA-18S	56472	1 ¹ / ₈	14	3	7 ¹ / ₁₆	1	4 ⁵ / ₈	9 ⁵ / ₁₆	3 ¹ / ₄	9 ¹ / ₄
3CFA-22S	56473	1 ³ / ₈	14	3	7 ⁹ / ₁₆	1 ¹ / ₈	4 ⁵ / ₈	9 ⁵ / ₁₆	3 ³ / ₈	9 ¹ / ₄
3CFA-26S	56474	1 ⁵ / ₈	14	3	7 ³ / ₈	1 ³ / ₁₆	4 ⁵ / ₈	10	3 ³ / ₁₆	9 ¹ / ₂
3CFA-34S	56475	2 ¹ / ₈	14	3	7 ³ / ₈	1 ⁵ / ₁₆	4 ⁵ / ₈	10 ³ / ₁₆	3 ¹³ / ₁₆	9 ³ / ₄
4CFA-14S*	56851	7/8	20	4	7 ³ / ₈	3/4	5 ⁷ / ₈	10 ¹⁷ / ₃₂	3 ¹⁷ / ₃₂	14 ¹ / ₂
4CFA-18S*	56852	1 ¹ / ₈	20	4	7 ³ / ₈	1	5 ⁷ / ₈	10 ¹⁷ / ₃₂	3 ³ / ₄	14 ¹ / ₂
4CFA-22S	56853	1 ³ / ₈	20	4	7 ⁹ / ₁₆	1 ¹ / ₈	5 ⁷ / ₈	10 ⁷ / ₈	3 ⁷ / ₈	14 ¹ / ₂
4CFA-26S	56854	1 ⁵ / ₈	20	4	7 ³ / ₄	1 ³ / ₁₆	5 ⁷ / ₈	11 ³ / ₁₆	4 ¹ / ₁₆	14 ¹ / ₂
4CFA-34S	56855	2 ¹ / ₈	20	4	8	1 ¹ / ₁₆	5 ⁷ / ₈	11 ³ / ₈	4 ³ / ₁₆	14 ³ / ₄
4CFA-42S	56856	2 ³ / ₈	20	4	8 ⁷ / ₃₂	1 ⁷ / ₁₆	5 ⁷ / ₈	11 ¹¹ / ₃₂	4 ⁷ / ₁₆	15 ¹ / ₄
5CFA-34S	56894	2 ¹ / ₈	35	5	8 ³ / ₄	1 ⁵ / ₁₆	7 ¹ / ₄	12 ¹ / ₂	4 ³ / ₄	24
5CFA-42S	56895	2 ³ / ₈	35	5	8 ⁷ / ₈	1 ⁷ / ₁₆	7 ¹ / ₄	12 ¹¹ / ₁₆	4 ⁷ / ₈	24
5CFA-50S	56896	3 ¹ / ₈	35	5	8 ¹⁵ / ₁₆	1 ¹³ / ₁₆	7 ¹ / ₄	12 ³ / ₈	4 ⁹ / ₁₆	24

*Liquid Line Service Only

Replacement Flange Gaskets for CFA Shells

Catalog Number	IBCA Number	For Shell Number
AG2	51003	2CFA
AG3	51004	3CFA
AG4	51005	4CFA
AG5	51006	5CFA