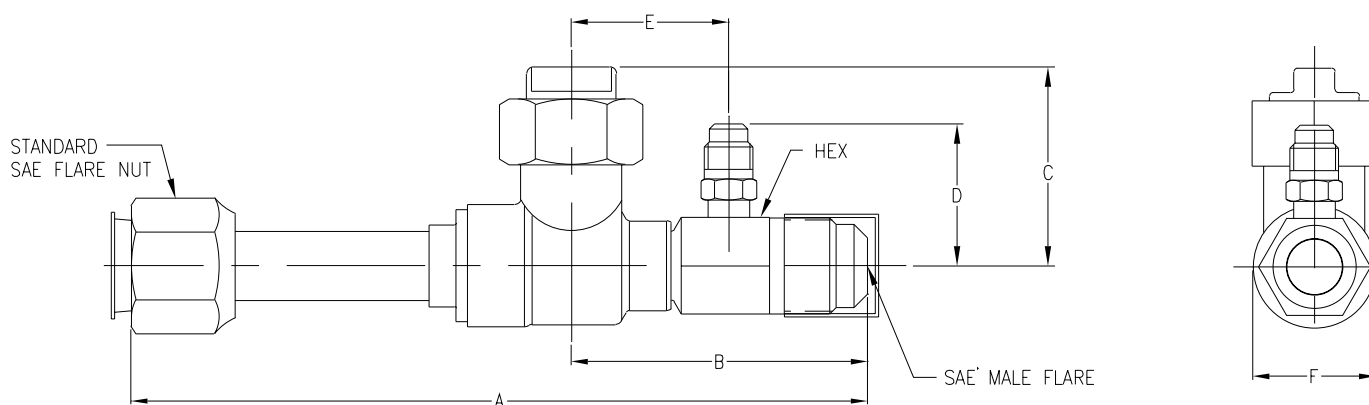


AP Ball Valves

- Engineered for multi-split A/C and heat pump units.
- Available in a kit or as individual valves.
- Design working pressure: 700 psi
- Temperature range: -40°F to +325°F (-40°C to +149°C)
- Forged brass body and seal cap.
- Teflon seals and gaskets. No synthetic o-rings.
- Suitable for use with R11, R12, R22, R123, R125, R134A, R236FA, R402A, R402B, R404A, R407C, R500, R502, R507, CO2 and R410A.



Valve Kit	Description
586WAS-6/10FL	586WAS-6FL with 3/8 x 1/4 adaptor and 586WAS-10FL with 5/8 x 1/2 adaptor

Individual Valves	Description	A	B	C	D	E	F
586WAS-4FL	1/4 M SAE x 1/4 F SAE	6.19	2.60	1.80	1.22	1.42	1.10
586WAS-6FL	3/8 M SAE X 3/8 F SAE	6.30	2.67	1.80	1.22	1.42	1.10
586WAS-8FL	1/2 M SAE X 1/2 F SAE	6.51	2.67	1.80	1.22	1.42	1.10
586WAS-10FL	5/8 M SAE x 5/8 F SAE	6.64	2.67	1.80	1.28	1.42	1.10